

# SP 1 SLUSH AND COLD CREAM DISPENSER

SP1NB



## Ref560157 (SP1NB)

SP Granita, (1) 1.3 gallon (5 L) bowl, black finish - Refrigerant R449A

### General Features

SP Granita, (1) 1.3 gallon (5 L) capacity, black finish, LED bowl lights - Refrigerant R449A. One compact countertop machine creates both chilled beverages like frozen cocktails, slushies, milkshakes and other frozen drinks. Functions with

both water and milk bases or with ready-to-use products to create delicious chilled treats. Easy to clean and user-friendly,

this is the perfect solution for restaurants, cafeterias, coffee shops, bars and hotels. The patented Hybrid Texture Control maintains the product temperature from full bowl to empty ensuring the consistency of the product from first to last serving.

CRATHCO

# SP 1 SLUSH AND COLD CREAM DISPENSER

## Specifications

- Safety stop system.
- Hybrid control of consistency: to ensure the same consistency of the product, from the first to the last drop dispensed.
- Temperature control also in “defrost” mode: thus avoiding sudden fluctuations that would degrade the product and compromise the final result.
- Dispenser for frozen cocktails, slushies, milkshakes and other frozen drinks

## Construction

- The patented I-Tank insulated bowl reduces the impact of ambient temperature on the product, improving its cooling efficiency and guaranteeing energy and cost savings.
- Optional Autofill Lid System available: for the automatic filling of the tanks
- Versatile slush machine with three (3) 2.9 gallon/11L I-Tank insulated bowls
- n. I-Tank insulated bowl containing (1) 1.3 gallons/5 L of finished product
- Easy-to-use adjustment for product viscosity

# SP 1 SLUSH AND COLD CREAM DISPENSER

## Electric

Supply voltage:	115 V / 1 ph / 60 Hz
Electrical power max.:	0.5 kW
Current consumption:	5.2 Amps
Plug type:	USA NEMA 5-15P

## Key Information:

Number of bowls:	1
Bowl's capacity:	1.3 gal
Control board:	Mechanical
Dimensions, Width:	10 5/16"
Dimensions, Depth:	16 13/16"
Dimensions, Height:	24 1/16"
Net weight:	62 lb
Cooling system:	AIR

## Refrigeration Data

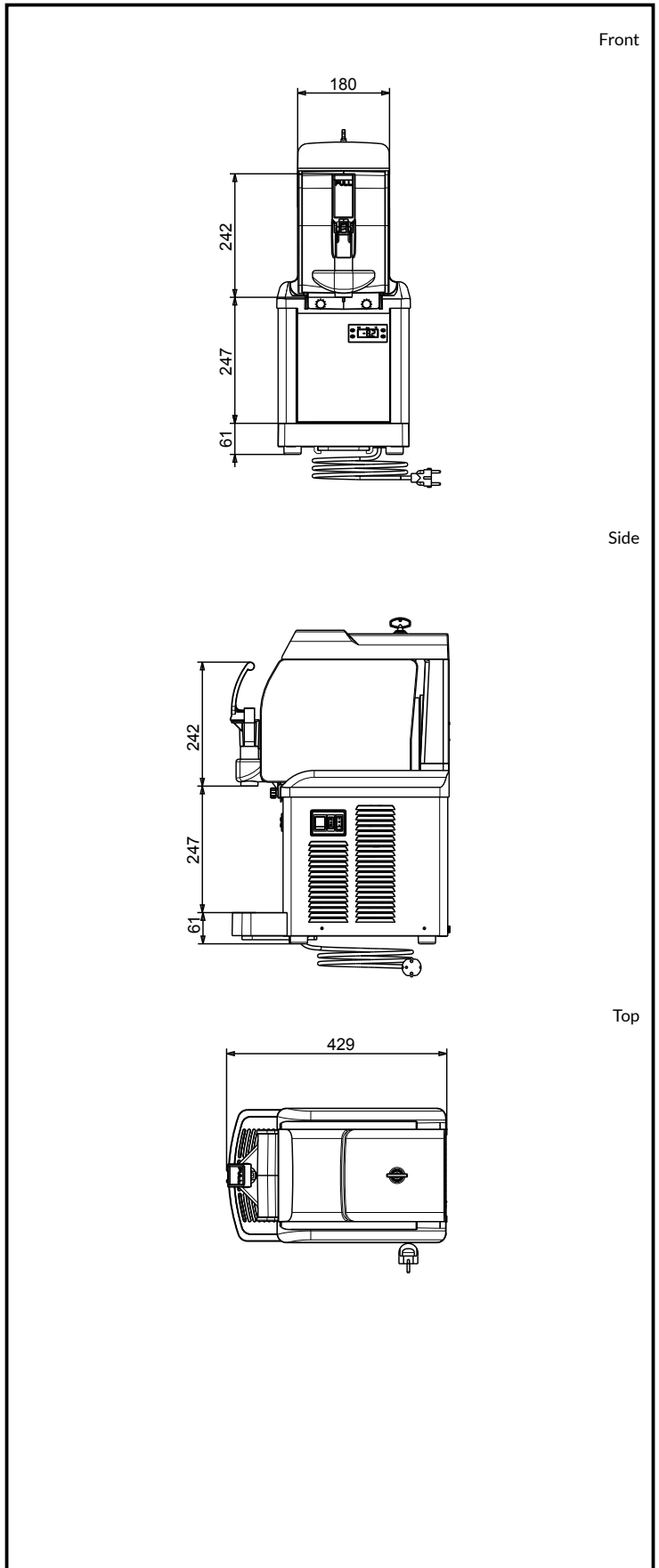
Refrigerant gas:	R449a
------------------	-------

## Certifications



The company reserves the right to make modifications to the products without prior notice. All information correct at time of printing.

2024.10.08



**CRATHCO**

www.crathco.drink-systems.com  
infocrathco@electroluxprofessional.com